



LOA2...

LOA3...

## Oil Burner Controls

**LOA2...  
LOA3...**

**Oil burner controls for the supervision, startup and control of 1- or 2-stage forced draft oil burners in intermittent operation.  
Oil throughput up to 30 kg/h.**

**The LOA2... / LOA3... and this Data Sheet are intended for use by OEMs which integrate the oil burner controls in their products.**

### Use, features

Use	<p>The LOA... are used for the startup, supervision and control of 1- or 2-stage forced draft oil burners in intermittent operation. Yellow-burning flames are supervised with photoresistive detectors QRB..., blue-burning flames with blue-flame detectors QRC...</p> <ul style="list-style-type: none"> <li>- Forced draft oil burners conforming to EN 267</li> <li>- Oil atomization burners in monoblock design conforming to EN 230</li> </ul>
General features	<ul style="list-style-type: none"> <li>- Undervoltage detection</li> <li>- Bridging contact for oil preheater (not with LOA28.173A27)</li> </ul>
Specific features	<ul style="list-style-type: none"> <li>- Special versions including models for incinerator plant and flash-steam generators</li> <li>- LOA36... with color LED for indicating flame strength and operation</li> </ul>

## Warning notes



**To avoid injury to persons, damage to property or the environment, the following warning notes should be observed!**

**Do not open, interfere with or modify the unit!**

- All activities (mounting, installation and service work, etc.) must be performed by qualified staff
- Before making any wiring changes in the connection area of the LOA..., completely isolate the unit from the mains supply (all-polar disconnection)
- Ensure protection against electric shock hazard by providing adequate protection for the burner control's connection terminals
- Each time work has been carried out (mounting, installation, service work, etc.), check to ensure that wiring is in an orderly state and make the safety checks as indicated in «Commissioning notes» above
- Check to ensure that wiring is in an orderly state
- Press the lockout reset button / operating button only manually (applying a force of no more than 60 N), without using any tools or pointed objects
- Fall or shock can adversely affect the safety functions. Such units must not be put into operation, even if they do not exhibit any damage

## Mounting notes

- Ensure that the relevant national safety regulations are complied with

## Installation notes

- Do not mix up live and neutral conductors
- Always run high-voltage ignition cables separately while observing the greatest possible distance to the unit and to other cables
- Install switches, fuses, earthing, etc., in compliance with local regulations
- Ensure that the maximum permissible amperages will not be exceeded (refer to «Technical data»)

## Electrical connection of flame detectors

It is important to achieve practically disturbance- and loss-free signal transmission:

- Never run the detector cable together with other cables
  - Line capacitance reduces the magnitude of the flame signal
  - Use a separate cable
- Observe the permissible lengths of the flame detector cables (refer to Data Sheets N7714 (QRB...) and N7716 (QRC...))

## Commissioning notes

- When commissioning the plant, when carrying out maintenance work, or after longer off periods, make the following safety checks:

	<b>Safety check</b>	<b>Anticipated response</b>
a)	Burner startup with flame detector darkened	Lockout at the end of «TSA»
b)	Burner startup with flame detector exposed to extraneous light	Lockout after approx. 40 seconds
c)	Simulation of flame failure during operation. For that purpose, darken the flame detector during operation and maintain this state	Repetition followed by lockout at the end of «TSA»

## Standards and certificates

---



Conformity to EEC directives  
- Electromagnetic compatibility EMC (immunity)  
- Low-voltage directive

89 / 336 / EEC  
73 / 23 / EEC



ISO 9001: 2000  
Cert. 00739



ISO 14001: 2004  
Cert. 38233

Type reference	
LOA24.171B17	x
LOA24.171B27	x
LOA24.173A27	x
LOA24.571C27	x
LOA25.173C17	---
LOA25.173C27	---
LOA26.171B27	x
LOA28.173A27	x
LOA36.171A27	x

## Service notes

---

- Use the KF... test adapters for short periods of time only

## Disposal notes

---



The unit contains electrical and electronic components and must not be disposed of together with domestic waste.  
Local and currently valid legislation must be observed.

## Mechanical design

---

The housing is made of impact-proof, heat-resistant and flame-retarding plastic.  
The oil burner control is of plug-in design and engages audibly in its base.

The housing accommodates the






- thermal-electric sequence switch
- flame signal amplifier with the flame relay
- lockout reset button with its integrated fault indication lamp

## Type summary

The type references given below apply to burner controls without base and without flame detector.

Version	Type reference	Voltage	Under-voltage detection	CE	t1	t3	TSAmax.	t3n	t3n'	t4
Standard version	LOA24.171B27 <sup>2)</sup>	AC 220 V	X	X	13 s	13 s	10 s	20 s	---	20 s
	LOA24.171B17 <sup>2)</sup>	AC 110 V	X	X	13 s	13 s	10 s	20 s	---	20 s
	LOA24.173A27	AC 220 V	X	X	13 s	13 s	10 s	20 s	2 s	20 s
With remote reset facility	LOA26.171B27 <sup>2)</sup>	AC 220 V	X	X	13 s	13 s	10 s	15 s	---	20 s
	LOA36.171A27	AC 220 V	X	X	13 s	13 s	10 s	15 s	---	20 s
For flash-steam generators	LOA24.571C27	AC 220 V	X	X	5 s	6	10 s	20 s	---	20 s
For incinerator plant	LOA25.173C27 <sup>1)</sup>	AC 220 V	X	---	13 s	13 s	10 s	---	2 s	20 s
	LOA25.173C17 <sup>1)</sup>	AC 110 V	X	---	18 s	13 s	10 s	---	2 s	20 s
	LOA28.173A27 <sup>1)</sup>	AC 220 V	X	---	13 s	13 s	10 s	---	2 s	20 s

- Legend
- 1) LOA25... and LOA28... are designed for use on incinerator plant where lockout by extraneous light is not desired.  
These types of oil burner controls are not covered by EN 230
- 2) IRD1010 infrared flicker detectors can also be used
- t1 Prepurge time  
t3 Preignition time  
t3n Long postignition time  
t3n' Short postignition time  
t4 Interval from establishment of flame to the release of «BV2»  
TSAmax. Ignition safety time

	<b>Oil burner control</b> without plug-in base	refer to «Type summary»
	<b>Electrical connections</b>	refer to Data Sheet N7201
	- Plug-in base AGK11...	
	- Cable holders AGK65..., AGK66, AGK67...	
	- Cable strain relief elements for AGK67...	
	<b>Electrical connections</b>	refer to Data Sheet N7203
	- Plug-in base AGK13	
	- Plug-in housing AGK56	
	- Cover AGK68	
	<b>Flame detectors</b>	
	- Photoresistive detectors QRB1...	refer to Data Sheet N7714
	- Blue-flame detectors QRC1...	refer to Data Sheet N7716
	<b>Pedestal</b> (empty housing)	<b>AGK21</b>
	- To increase the overall height of the LOA...to that of the LAI... / LAB...	
	<b>Remote reset module</b>	<b>ARK21A27</b>
	- For use with the LOA26... / LOA36... printed circuit board versions	
	<b>Adapter</b>	<b>KF8819</b>
	- For replacing LAB1... / LAI... by LOA...	
	- No rewiring of plug-in base required	
	<b>Test adapter</b>	<b>KF8833</b>
	- For checking the functions of burner controls on the burner	
	- With signal lamps for program indication	
	- With one pair of jacks for measuring the flame detector current	
	<b>Test adapter</b>	<b>KF8840</b>
	- For checking the functions of burner controls on the burner	
	- With signal lamps for program indication	
	- With on / off switch for simulating the flame signal	
	- With holes for checking the control voltages at the tabs of the burner control	
	- With one pair of jacks for measuring the flame detector's resistance	
	<b>Test adapter</b>	<b>KF8885</b>
	- For checking the functions of burner controls on the burner	
	- With switch for manual startup of burner	
	- With switch for simulating the oil preheater's release contact	
	- With 2 pairs of jacks for measuring the flame detector current	
	- Refer to Mounting Instructions B7986	
	<b>Demo case</b>	<b>KF8891</b>
	- For showing the functioning of burner controls	
	- Refer to Operating Instructions B7989	

## Technical data

General unit data	Mains voltage	AC 220 V –15 %...AC 240 V +10 % AC 100 V –15 %...AC 110 V +10 %
	Mains frequency	50...60 Hz ±6 %
	External primary fuse (Si)	10 A (fast)
	Power consumption	approx. 3 VA
	Perm. mounting position	optional
	Weight	approx. 180 g
	Degree of protection	IP 40, must be ensured through mounting
	Safety class	I
	Perm. cable lengths	max. 3 m with 100 pF/m line capacitance
	- Detector cable laid separately	max. 20 m
	- Remote reset laid separately	max. 20 m
	Input current to	
	- Terminal 1	5 A (short-time 15 A for max. 0.5 s)
	- Terminal 3	5 A (excl. current draw of burner motor and oil preheater)

Perm. current at $\cos \varphi \geq 0.6$	Terminal 4	Terminal 5	Terminal 6	Terminal 7	Terminal 8	Terminal 10
LOA24.171B27	Max. 1 A	Max. 1 A	Max. 2 A	Max. 2 A	Max. 5 A	Max. 1 A
LOA24.171B17						
LOA24.571C27						
LOA25.173C27						
LOA25.173C17						
LOA28.173A27						
LOA24.173A27	Max. 1 A	Max. 1 A	Max. 2 A	Max. 1.5 A	Max. 5 A	Max. 1 A
LOA26.171B27	Max. 1 A	Max. 1 A	Max. 2 A	Max. 0.1 A	Max. 5 A	Max. 1 A
LOA36.171A27						

## Environmental conditions

<b>Storage</b>	DIN EN 60 721-3-1
Climatic conditions	class 1K3
Mechanical conditions	class 1M2
Temperature range	-20...+60 °C
Humidity	< 95 % r.h.
<b>Transport</b>	DIN EN 60 721-3-2
Climatic conditions	class 2K2
Mechanical conditions	class 2M2
Temperature range	-50...+60 °C
Humidity	< 95 % r.h.
<b>Operation</b>	DIN EN 60 721-3-3
Climatic conditions	class 3K5
Mechanical conditions	class 3M2
Temperature range	-20...+60 °C
Humidity	< 95 % r.h.



**Condensation, formation of ice and ingress of water are not permitted!**

**Technical data (cont'd)**

Flame supervision with QRB... or QRC...

For measuring circuits and detector cable lengths, refer to Data Sheets N7714 (QRB...) and N7716 (QRC...).

QRB...

Type of burner control	QRB... (typically)		
	Detector current required (with flame)	Perm. detector current (without flame)	Detector current possible (with flame)
LOA24.171B27 / LOA24.171B17	Min. 70 µA	Max. 5.5 µA	Max. 210 µA
LOA24.571C27			
LOA25.173C27 / LOA25.173C17			
LOA26.171B27			
LOA28.173A27			
LOA24.173A27	Min. 45 µA	Max. 5.5 µA	Max. 45 µA
LOA36.171A27	Min. 70 µA	Max. 5.5 µA	Max. 900 µA

QRC1...

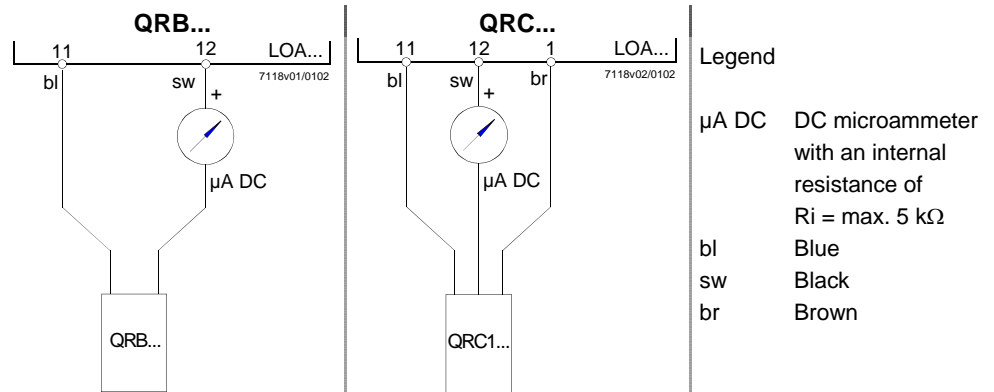
Type of burner control	QRC... (typically)		
	Detector current required (with flame)	Perm. detector current (without flame)	Detector current possible (with flame)
LOA24.171B27	Min. 70 µA	Max. 5.5 µA	Max. 110 µA
LOA24.571C27			
LOA26.171B27			
LOA24.171B17	Min. 70 µA	Max. 5.5 µA	Max. 90 µA
LOA25.173C27 <sup>1)</sup>	---	---	---
LOA25.173C17 <sup>1)</sup>			
LOA28.173A27 <sup>1)</sup>			
LOA24.173A27	Min. 45 µA	Max. 5.5 µA	Max. 45 µA
LOA36.171A27	Min. 70 µA	Max. 5.5 µA	Max. 110 µA

<sup>1)</sup> These types of LOA... must not be used in connection with QRC...blue-flame detectors

Data given in the above table only apply under the following conditions:

- Mains voltage AC 230 V
- Ambient temperature 23 °C

Measuring circuit for detector current



**Only with LOA36...**  
Indication of flame strength

Detector current LED on

- With QRB... min. 60 µA ±15 %
- With QRC... min. 40 µA ±15 %



## Function

Preconditions for startup	<ul style="list-style-type: none"> <li>• Burner control is reset</li> <li>• Contacts in the line are closed</li> <li>• No undervoltage</li> <li>• Flame detector is darkened, no extraneous light</li> </ul>
Undervoltage detection	An additional electronic circuit ensures that if mains voltage drops below approximately AC 165 V, burner startup will be prevented, or – without release of oil – lockout will be triggered.
Control sequence in the event of fault	<p>Whenever lockout occurs, the outputs for the fuel valves, the burner motor, oil preheater and ignition equipment will immediately be deactivated (&lt; 1 second). The lockout indication lamp changes to red and terminal 10 («AL») for remote lockout indication receives voltage. This state is also maintained in the event of mains voltage failure.</p>

Cause	Response
Mains voltage failure	New start
Extraneous light on burner startup	Lockout; with LOA25... / LOA28...: Prevention of start
No flame at the end of «TSA»	Lockout
Loss of flame during operation	Repetition

Reset	After lockout, the burner control can be reset after 60...90 seconds (also refer to «Warning notes»).
-------	---

## Indications

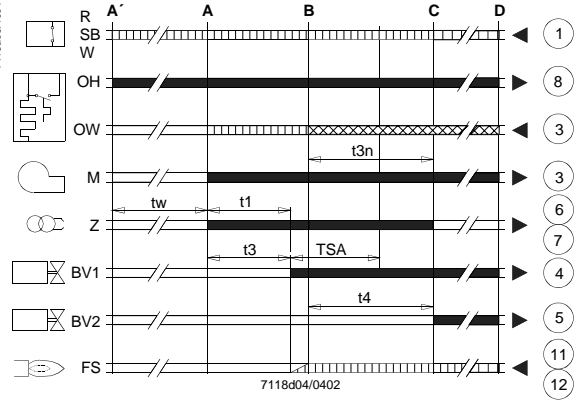
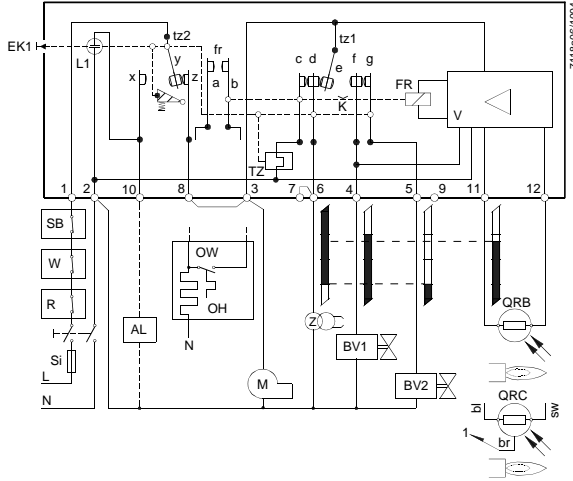
Lockout position	The lockout position is indicated with the lamp integrated in the lockout reset button.
Flame strength	Only with LOA36...
	<p>Indication of the flame strength (green LED) is used for checking the flame signal. To ensure reliable burner operation, this LED must be lit. If the green LED flickers or extinguishes during burner operation, the light conditions at the burner are poor, caused by dirt for instance.</p>
Operation	Only with LOA36...
	When the contacts of the control thermostat are closed, the orange LED is lit, indicating the start of the oil preheater's heating up phase (if present).



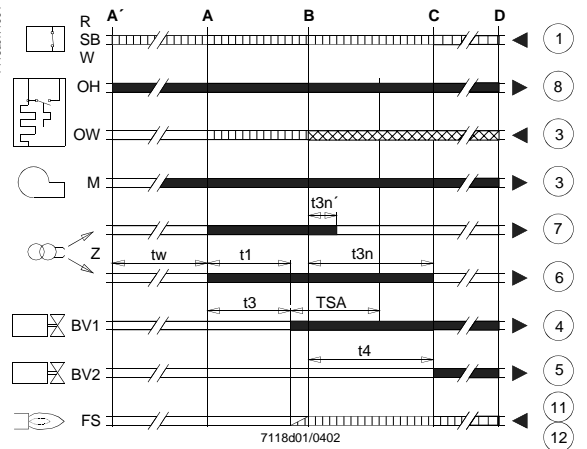
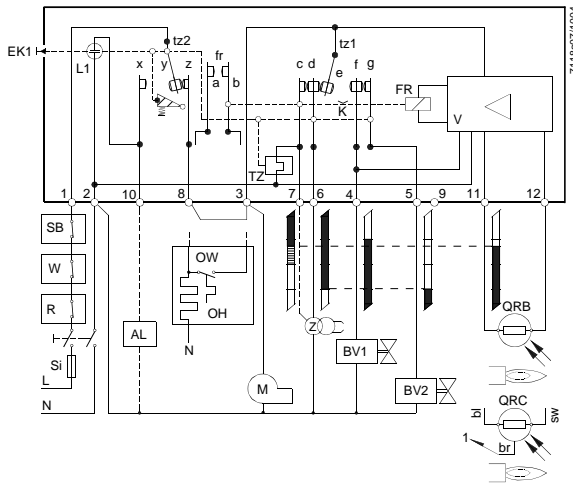
### Connection diagram and internal diagram

### Control sequence

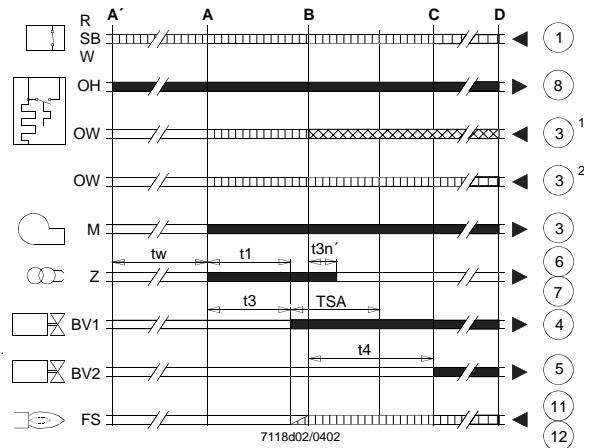
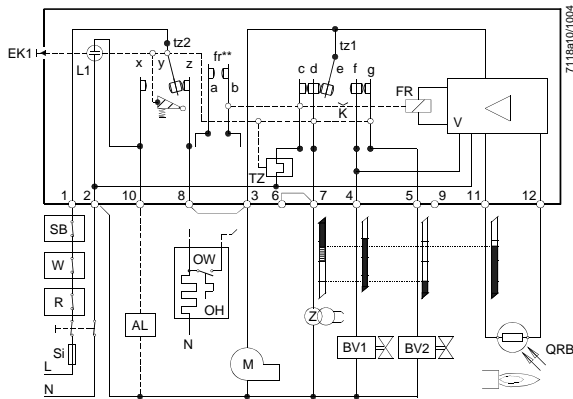
LOA24.171B27  
LOA24.171B17  
LOA24.571C27



LOA24.173A27



LOA25.173C27  
LOA25.173C17  
LOA28.173A27



fr\*\* Not provided with the LOA28.173A27

1) LOA25.173C27 / LOA25.173C17

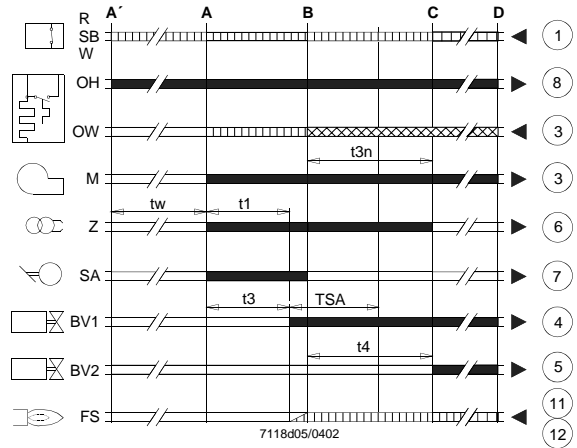
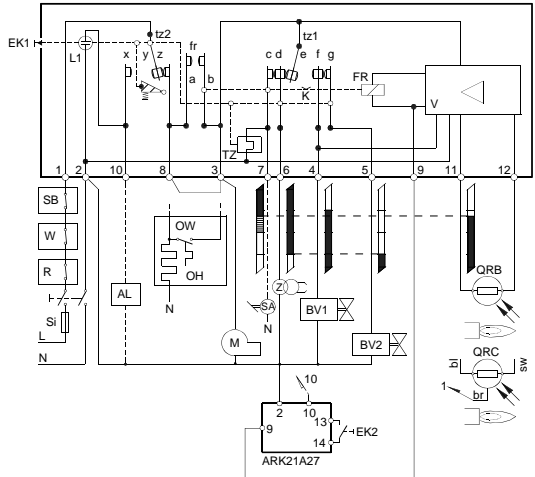
2) LOA28.173A27

## Connection diagram and internal diagram

## Control sequence

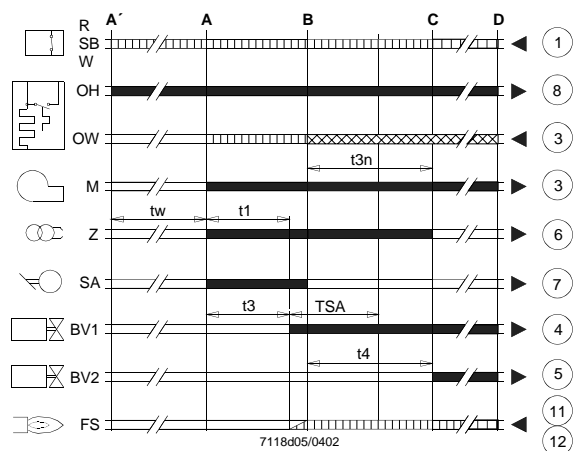
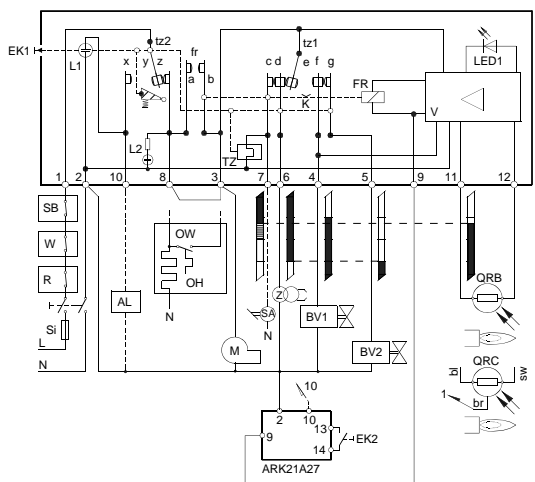
LOA26.171B27

With ARK21  
remote lockout  
reset module



LOA36.171A27

With ARK21  
remote lockout  
reset module



### Legend

AL	Alarm device
BV...	Fuel valve
EK1	Lockout reset button
EK2	Remote lockout reset button
FR	Flame relay with contacts «fr»
FS	Bridging contact for release contact of «OH»
K	Flame signal
L1	Catch of flame relay for locking contact «tz1» in the event of premature flame signals or for locking the contact when the flame signal is correct
L2	Indication of faults (red)
LED1	Indication of operation (orange)
M	Indication of flame strength (green)
	Burner motor
TSA	Ignition safety time
tw	Waiting time
t1	Prepurge time
t3	Preignition time
t3n	Long postignition time
t3n'	Short postignition time
t4	Interval between flame signal and release of «BV2»

OW	Release contact of oil preheater
OH	Oil preheater
QRB...	Photoresistive detector
QRC...	Blue-flame detector
	bl = blue, br = brown, sw = black
R	Control thermostat or pressurestat
SA	Actuator with automatic setback
SB	Safety limit thermostat
Si	External primary fuse
TZ	Thermal-electric sequence switch
tz...	Contacts of «TZ»
W	Limit thermostat or pressure switch
V	Flame signal amplifier
Z	Ignition transformer

A'	Beginning of the startup sequence with burners using an «OH»
A	Beginning of the startup sequence with burners using no «OH»
B	Time of flame establishment
C	Running position
D	Controlled shutdown by «R»

■	Control signals delivered by the LOA...
▨	Required input signals
▩	Permissible input signals

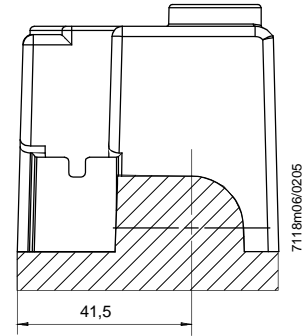
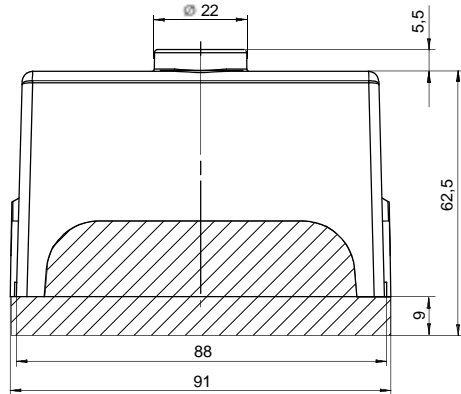
# Dimensions

Dimensions in mm

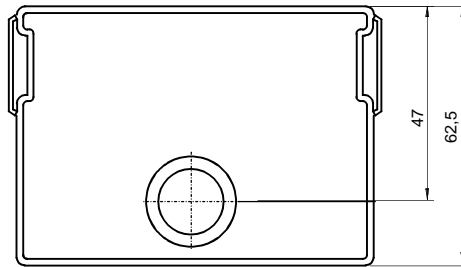
LOA...



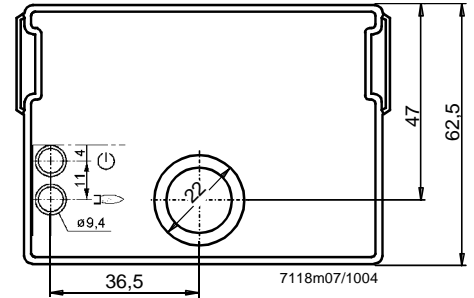
Plug-in base  
AGK11... / AGK13...



LOA2...



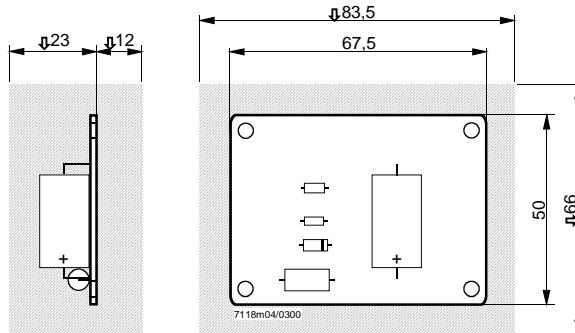
LOA3...



Status indication (orange)

Indication of flame strength (green)

Remote lockout reset  
module ARK21A27



Remote lockout reset module for use with the LOA26... / LOA36...

Printed circuit board with no housing.

Degree of protection IP 00, which means that protection against electric shock hazard, must be ensured through mounting.

Do not place any metal objects in the hatched area.

The module must be fitted with the help of spacers made of plastic.

Do not use spacers made of metal.